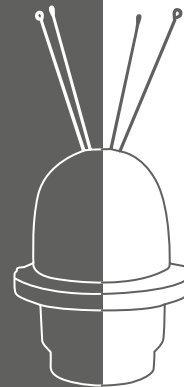




AIS NAVIGATION AID ATON SRT Carbon

APPLICATION

AIS for marine navigation signs



SRT Carbon is an internationally certified AIS AtoN Type 1 and Type 3 with the lowest power consumption in its class worldwide.

The hardened housing of the Carbon AIS-AtoN is designed for continuous operation and is suitable for use under extreme weather conditions.

INTERFACES – VIA OPTIONAL SENSOR INTERFACES

- five isolated digital inputs
- two isolated analogue inputs - 0 V_{DC} to 36 V_{DC}
- three non-isolated analog inputs
- two relay outputs
- analogue current sensor (up to 5 A)
- five non-isolated logic levels - Input / output channels
- NMEA0183 port (IEC61162-1 / 2)
- two RS232 ports – configurable baud rates
- SDI-12 interface

ATON FUNCTIONS

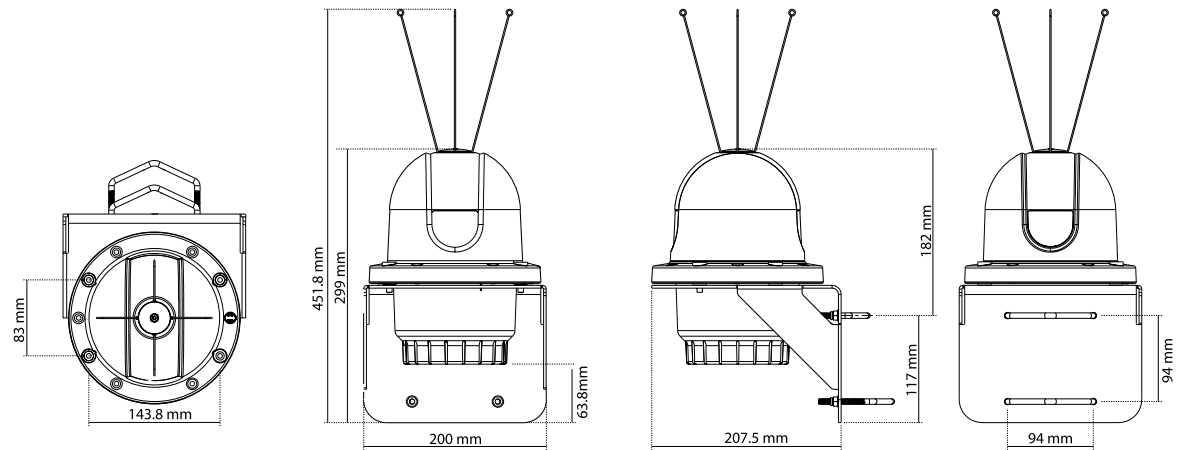
- type 1 and type 3 available
- supports configuration via VDL command
- chaining option available
- adaptable sensor interface
- supports virtual AtoN

FEATURES

- extremely low power consumption in all operating modes
- designed and manufactured for the toughest weather conditions
- integrated GPS antenna with optional external input



- several flexible sensor interfaces
- proven quality for continuous operation
- documentation in German



TECHNICAL SPECIFICATIONS

Dimensions (W x H)	284 mm x 188 mm
Weight	1.2 kg
Power supply	12 V _{DC} – 24 V _{DC}
Energy consumption Type 1 AtoN (FATDMA)	less than 0.09 Ah / day with 3 minute position reporting rate
Power consumption Type 3 AtoN (RATDMA)	less than 0.8 Ah / day with message #21 transmission every 3 minutes
USB	for configuration
IEC61162-1 ports	two (NMEA0183) at 38400 baud
Logic level IO lines	5 adjustable
Degree of protection	IP66 (according to DIN EN 60529 VDE 0470 part 1)
Standards	IEC60945, 2002 IEC62320-2, 2016-10 IEC60945, 2002-08 EN60950-1, 2006 +A11:2009, +A1:2010, +A12:2011, +A2:2013
Operating temperature range	-25 °C to +55 °C

TDMA TRANSMITTER AND RECEIVERS

Number of transmitter	1
Number of receiver	2
Frequency range	156,025 MHz – 162,025 MHz in 25 KHz steps
Power output	1 W, 2 W, 5 W or 12.5 W
Channel bandwidth	25 KHz
Modulation mode	25 KHz GMSK (AIS, senden and empfangen)
Data transmission rate	9600 bits/s (GMSK)
Sensitivity	< -110 dBm @ 20 % PER
Adjacent channel sensitivity	70 dB



Extremely low
power consumption



Multiple external interfaces
for easy integration with
external devices

GPS RECEIVER AND ANTENNA

Channel	50
Standards	IEC 61108-1, Edition 1.0, 2002
GPS Antenna	internal or external
Spurious response rejection	70 dB



Designed for use in extreme
weather conditions