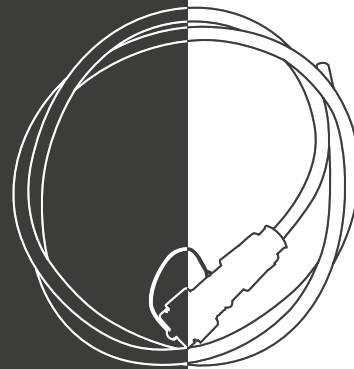




Use our Beeke connection cable and connector plugs, ideally where our LEDmin MKII sea lantern needs a constant power supply.

The Beeke connection cable is available in various lengths from one meter to 100 meters.

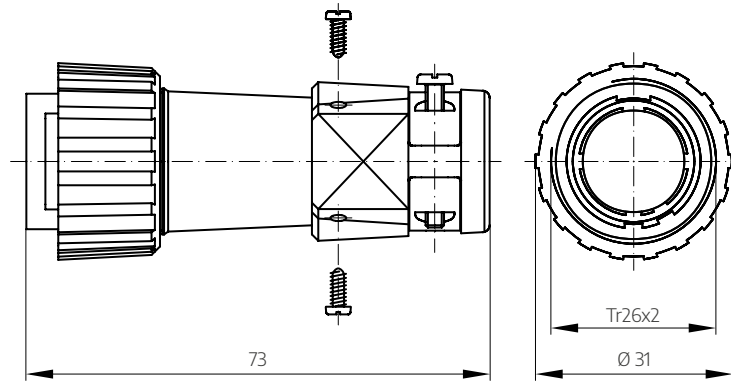
CONNECTION CABLE **Beeke**



APPLICATION
For marine lantern LEDmin MKII



Cable plug with end housing, strain relief and screw connection



CONNECTION CABLE FOR MARINE LANTERN - 3 WIRE

summary connection cable for marine lantern LEDmin MKII

CABLE

Connection cable Öflex 500P 7 G 1.5 mm²

ARTICLE NUMBER

7-BK1-00-00-10

ARTICLE

Connection cable Beeke for LEDmin MKII

PLUG CONNECTORS

cable plug with end housing, strain relief and fitting

Cover for plug M16 Z with Schonly

cable sleeve for M16 Z cable diameter 8 - 10 mm

Socket insert 4 pole + PE for connections BAC / PE; SAC

1 x pin contact

6 x socket contact

MATERIAL

M16 Z

M1 KS

T1-8/10

M1 E-6S+PE

SAC-1.50-Au

BAC-1.50-Au