



LED FLOODLIGHTS UAL-2-12VDC white

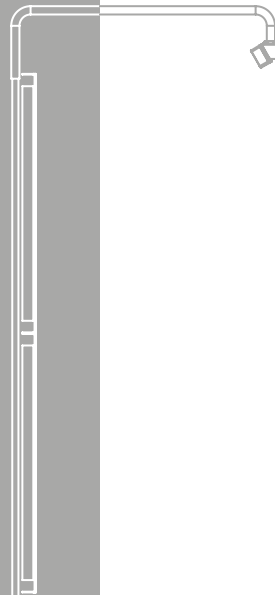
APPLICATION

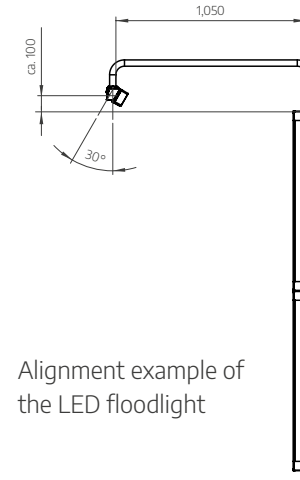
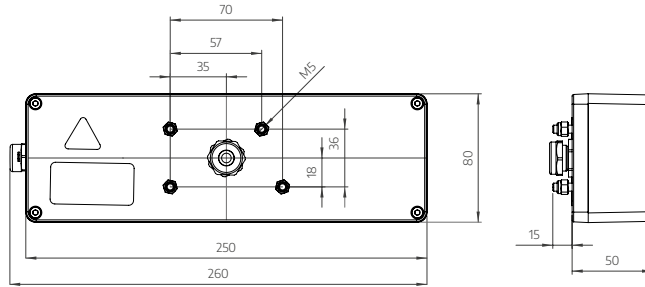
Illumination of e.g. marine navigation signs on waterways, mooring post and sheet pilings

The UAL-2-12VDC type LED floodlight uses state-of-the-art LED technology to generate light and is used to illuminate marine navigation signs such as marine traffic signs, mooring posts and sheet pilings.

The LED technology combines low energy consumption with high luminous intensity, long service life and therefore enables an almost maintenance-free operation. The LED floodlight is suitable for illuminating marine traffic signs up to a size of 2,300 mm x 2,150 mm.

The compact and robust design of the LED floodlight luminaire is particularly noteworthy. The body is made of seawater-resistant aluminium with a lens cover of impact-resistant polycarbonate. A pressure compensation element prevents the condensation of water in the body. The light has an operating voltage of 12 V_{DC}, and the light colour is white.





Alignment example of the LED floodlight

TECHNICAL SPECIFICATIONS

Operating voltage	12 V _{DC} (10 – 16 V _{DC})
Power consumption	< 10 W
Connection cable	3 G 1.5 mm ² , Length 8 m, PUR
Degree of protection	III (according to DIN EN 61140)
Light colour	neutral white (4300 K)
Illuminant	10 high-power LEDs with attachment optics
Operating temperature range	- 25 °C – + 55 °C
Relative humidity	max. 100 %
Degree of protection	IP66 (according to DIN EN 60529)
EMV	DIN EN 50293-200 DIN EN 61000-6-2 DIN EN 61000-6-3 DIN EN 61547
Dimensions (L x W x H)	260 mm x 80 mm x 65 mm
Body material	seawater resistant aluminium, RAL 9016 traffic white, powder-coated
Lantern glass	polycarbonate, impact resistant

TRANSPORT SPECIFICATIONS

Net weight	2.0 kg
Shipping weight	3.0 kg
Volume	0.01 m ³

ARTICLE NUMBER	ARTICLE	VOLTAGE	LIGHT COLOUR	ANGLE	LENGTH
6-U2-00-44-12-VDC	LED steel luminaire UAL-2-12VDC including bracket, according to waterways and shipping administration, technical standard L-13	12 V _{DC}	white	30°	1,000 mm

