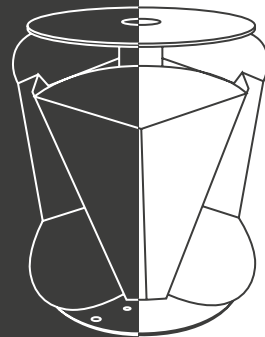




## RADAR REFLECTOR SR6

### APPLICATION

For stationary and floating marine aids to navigation for marking coastlines, moorings or fixed obstacles



**The radar reflector type SR6 is a passive radar reflector for use on buoys and beacons. Special features of this radar reflector are its 6-corner reflector plates in speckle design with optimised reflection properties.**

The backscatter pattern is almost omnidirectional, not only in the horizontal axis from 0 ° to 360 °, but also in the vertical axis with a reflection angle of  $\pm 30$  °. This property is particularly important for good radar efficiency, which must be guaranteed regardless of the heeling of a buoy at sea.

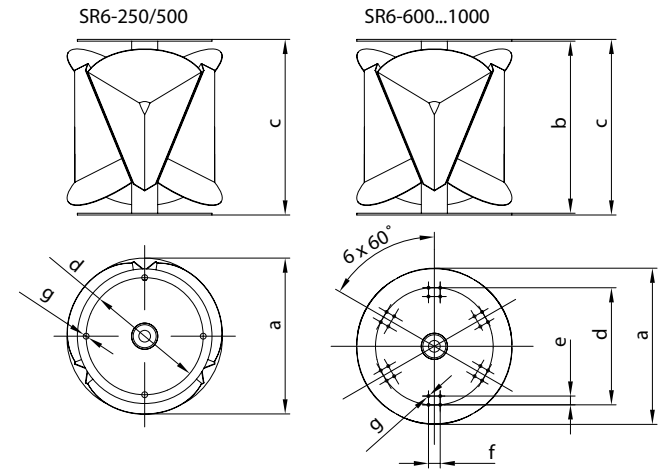
The radar reflector is available in different sizes, which differ in diameter and height and thus have an influence on the radar reflecting surface. Depending on the design, it can be mounted between the lantern and its support plate or integrated into the structure of the buoy.

### FEATURES

- 6-corner reflector plates
- speckle design
- radar area from 40 m<sup>2</sup> to 1200 m<sup>2</sup>
- stainless steel



Available colours



### TECHNICAL SPECIFICATIONS

Type	Ø a (mm)	b (mm)	c (mm)	Ø d (mm)	e (mm)	f (mm)	Ø g (mm)	Reflecting area approx. m <sup>2</sup>	Weight
SR6-1000	1,000	1,050	1,060	890	180	180	25	1,200	180 kg
SR6-800/60	900	854	870	860			18	1,100	188 kg
SR6-800	800	840	850	746	50	66	18	500	120 kg
SR6-700	700	735	745	546	50	66	18	271	86 kg
SR6-600	600	630	640	546	50	66	18	145	70 kg
SR6-500*1	500		600	200			18	100	11 kg
SR6-250*1	250		300	200			10	40	6 kg

\*1 also aluminium alloy available

ARTICLE NUMBER	ARTICLE	FLANGES	COLOUR	MATERIAL
7-RF1-00-00-316	Radar reflector SR6	2	blank	stainless steel
7-RF1-00-11-304	Radar reflector SR6	2	red	stainless steel
7-RF1-00-22-304	Radar reflector SR6	2	yellow	stainless steel
7-RF1-00-33-304	Radar reflector SR6	2	green	stainless steel